

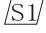








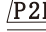



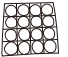

# PEGASI



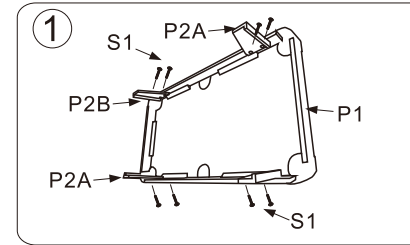
Must assure the product is completely correctly assembled according to the instruction before using.  
 (Assembly tools is inclusive in the box)  
**CAUTIONS!** The process of assembly must be done by adult or under direction by adult.

**RIP THE PROTECT FILM OF THE PRODUCT FACIES BEFORE INSTALL.**

## PARTS:

Number	Qty	Number	Qty
 S1	 4X20MM X 8	 P4	X 2
 P1	 X 1	 P9	X 1
 P2A	 X 2	 P10	X 1
 P2B	 X 2	 P11	X 1
 P3	 X 1	 P12	X 1

## FIT PROCESS:



Install table legs

# BILLIARDS GAME INSTALL MANUAL

